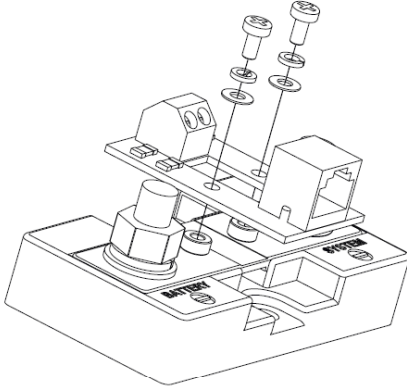




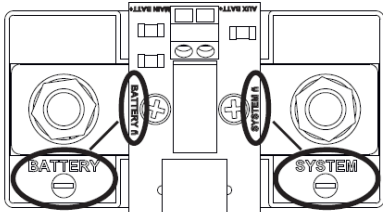
Enerdrive

DRIVING YOUR ENERGY NEEDS

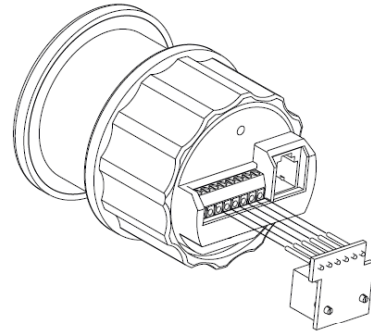
EN Mount the shunt side PCB on the shunt using the shunt screws (see picture)



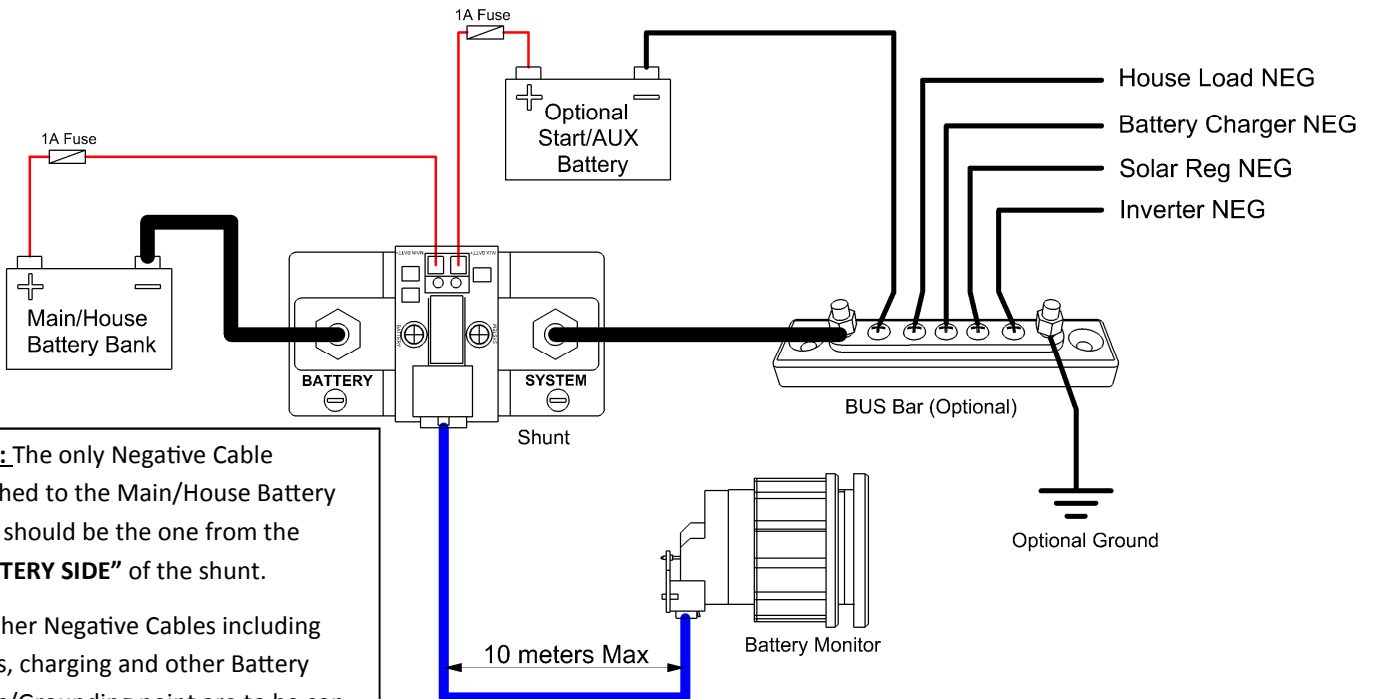
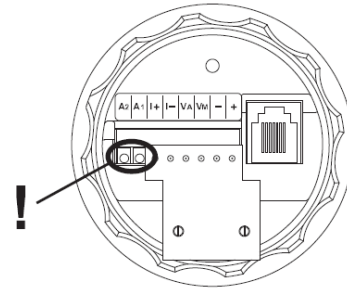
EN Make sure the PCB is mounted correctly (see picture)



EN Mount the monitor side PCB using the screw terminals (see picture)



EN Make sure the PCB pins are not fed into the A1 / A2 terminals (see picture)



Note: The only Negative Cable attached to the Main/House Battery bank should be the one from the "BATTERY SIDE" of the shunt.

All other Negative Cables including Loads, charging and other Battery banks/Grounding point are to be connected to the "SYSTEM SIDE" of the Shunt.

1300 851 535

Unit 11, 1029 Manly Road, Tingalpa, 4173 • PO Box 9159 Wynnum Plaza, Qld, 4178
Ph: 07 3390 6900 • Fax: 07 3390 6911 • Email: sales@enerdrive.com.au